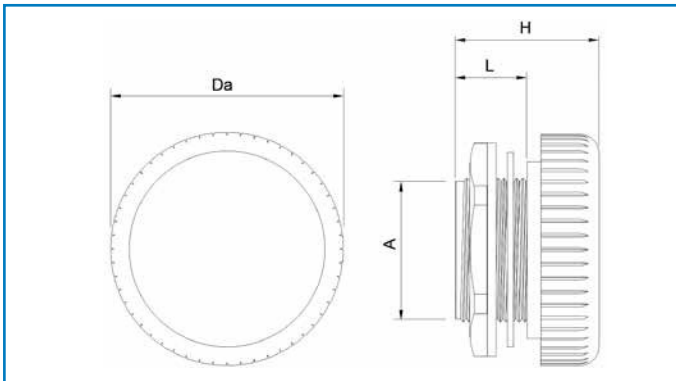


Venting element

GVPPA M/ML

Metric thread



Technical details

Body PA6
Sealing Nitrile rubber NBR
Membrane PA6.6

Properties

Temperature range -35 to +70 °C
Protection grade IP66 / IPX9K
Air permeability 1200 l/h at a pressure difference of min. 70 mbar

Order symbol	Code	EAN	A	L mm	Da mm	H mm	Pack
Light grey							
GVPPA M40 SET	8818223	6418074012197	M40 x 1,5	18	60	37	2

Technical details

Body PA66
Sealing Nitrile rubber NBR
Membrane PA6.6

Properties

- Weather proof and UV light resistant according to UL746C (f1)
Temperature range -35 to +70 °C
Protection grade IP66 / IPX9K
Air permeability 1200 l/h at a pressure difference of min. 70 mbar

Order symbol	Code	EAN	A	L mm	Da mm	H mm	Pack
Light grey							
GVPPA M40 UL SET	9801129	6418074305077	M40 x 1,5	18	60	37	2